

## Cleaning Mode

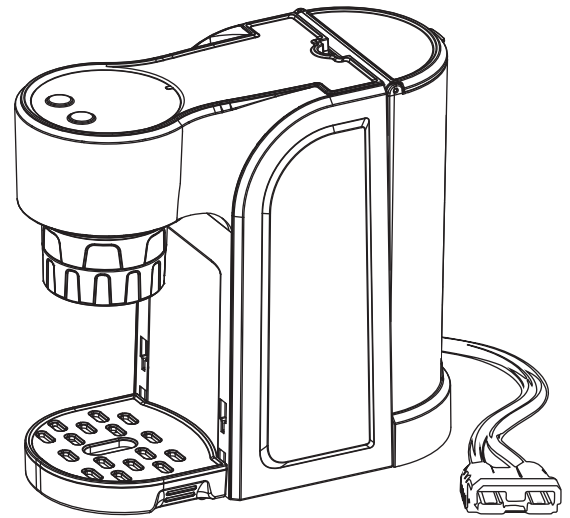
1. Press and hold both large and small cup buttons at the same time to enter the cleaning mode, which is used to clean the internal pipes of the coffee machine. Please clean the machine using special detergent. When entering the cleaning mode, the machine first fills with water, and then automatically discharges water when it is full. After the water is discharged, the cleaning is completed and the machine enters the standby state.

2. If no any operation within 20 minutes, the machine will enter sleep mode and all key indicators will go out. Press the key again to wake up the machine and enter standby mode.

**alltrucker**

DC24V  DC12V

## Desktop Capsule Coffee Machine



## Technical parameters

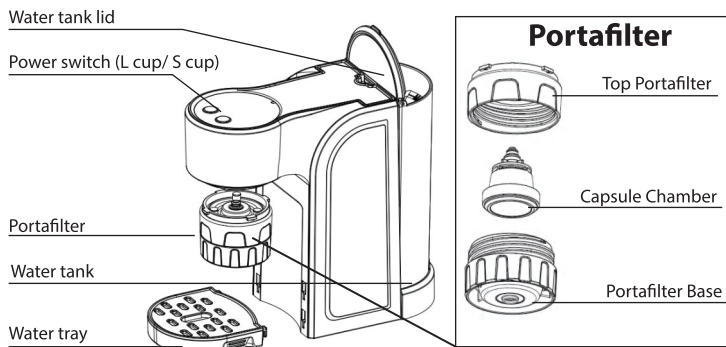
<b>Power</b>	<b>DC12V 350W / 24V 350W</b>
<b>Capsules</b>	<b>Compatible pods</b>
	<b>Nespresso, Lavazza</b>
<b>Pump</b>	<b>20bar</b>
<b>Capacity</b>	<b>550 ml</b>
<b>Small Cup</b>	<b>40-60 ml</b>
<b>Large Cup</b>	<b>100-110 ml</b>
<b>Product Size</b>	<b>26 / 12 / 23 cm</b>
<b>Weight</b>	<b>1,6kg</b>

[www.alltruck.info](http://www.alltruck.info)

## USER MANUAL

-3-

## Desktop Capsule Coffee Machine

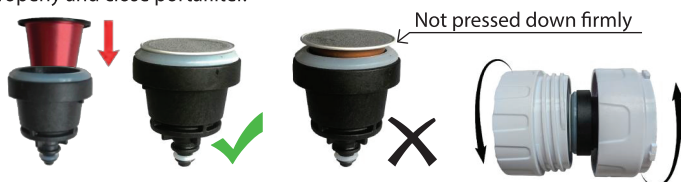


### Operating Instructions:

First, insert the Anderson plug into the corresponding Anderson connector to get power. After powering on, the indicator lights of the two buttons will flash alternately, and the machine is in standby mode.

#### SET AND SCREW THE PORTAFILTER

1. Put the capsule into the capsule chamber then put it into the portafilter properly and close portafilter.



**Attention: please press the capsule firmly into the chamber .**

2. Screw the portafilter tightly onto the main body as tight as possible.

**Attention: If the portafilter is not screwed on tightly, the portafilter may fail or cause water leakage problems.**

### POUR WATER FOR EXTRACTION

1. Open the water tank cover on the back of the coffee machine and pour in cold water or hot water (pure water). According to your needs, you can pour in up to 550ml of purified water. Be careful not to exceed the maximum scale line in the water tank .

2. Press one of the two key buttons, and the lights of the two buttons will flash at the same time. At the same time, the water pump starts to draw cold water from the water tank to the heating water tank (the heating water tank capacity is about 120ml) for heating; the heating time will vary depending on the water temperature and the number of times it has been heated.

3. After heating completed, the two key buttons will light up, indicating that the water temperature of the coffee machine has reached the appropriate temperature and can be extracted.

4. Press the large cup button or small cup button as needed to start extraction. After extraction is completed, the coffee machine stops, the indicator lights of the two buttons flash alternately, and the machine enters standby mode.

5. If you press the large cup button, the machine will enter standby mode after extracting coffee once. If you press the small cup button, the machine will remain in extraction mode after extracting coffee once. If you continue to press the small cup button, the 2nd small cup coffee will be extracted again ,then the machine will enter standby mode after the second coffee made.

6. The large cup is about 90-110ml, and the small cup is about 60-70ml. The capacity of the extracted coffee will vary depending on the capsules put in; the capacity of the extracted coffee will also vary depending on the amount of powder and the degree of powder compression when using the powder basket .

7. If the current large or small cup coffee volume is not enough, you can long press the large cup button or small cup button to force coffee to extract. When the satisfactory volume is reached, press the large cup button or small cup button again.

-1-

-2-