

INSTRUCTION MANUAL

GZV4000D

SWITCHING MODE DC POWER SUPPLY



INTRODUCTION

The GZV4000D Switching Mode DC Power Supply provides high power output with its small size and lightweight. It is suitable for a variety of uses, especially for DC operated radio equipment source from an AC outlet and providing variable voltages of 5V to 15V under 40A continuous operation. Please read through this operation instruction carefully and follow the instructions to prevent from abuse or misuse. This manual must be kept for reference at anytime in need.

FEATURES

1. Lightweight and Small Size

Switching mode power supply has the advantages of lightweight and small size. Comparing with linear mode power with the same power output, it is much lighter and smaller.

2. High Efficiency

The unit is operated with efficiency of 80% under the best condition.

3. Overload Protection

The current foldback circuitry is adopted to prevent from overload. The overload indicator will be lighted up when the unit is overloaded.

4. Over Temperature Protection

The over temperature circuitry is functioned when the unit is over a certain high temperature to prevent the unit from damage by the high temperature. When the circuitry is functioned, the output voltage and current will drop down to a safety value and the overloaded indicator will be lighted up.

5. High RFI Stability

The high protection circuitry against RFI (Radio Frequency Interference) provides a stable operation.

6. Variable Voltage Output

The variable range of output voltages from 5V to 15V enables good fits with various uses.

7. Multiple DC Output Connections

The unit has a pair of 6A easy snap on output terminal; a pair of full power screw-on output terminal and a cigar-lighter type output jack.

INSTALLATION

1. Make grounding the unit to prevent from electric shock at high voltage caused by leakage or lightning.
2. DO NOT place the unit in high humid, dusty and/or sunshiny places.
3. Place the unit in a location where allows free air circulation.
4. DO NOT place the unit close the TV sets or CRT monitor.
5. Couple with an AC outlet directly, as source via distribution cables may heat plugs and cable.
6. Put the unit horizontally for accurate meter readings.

CAUTION

1. **DO NOT** use the unit for the equipment requiring higher current input than the designed value otherwise will damage the unit.
2. **DO NOT** use the unit for the lamps or motorized equipment, which require high current input at starting and it may damage the unit.
3. **DO NOT** replace the fuse before ceasing problems and the assigned value of fuse must be used in place.

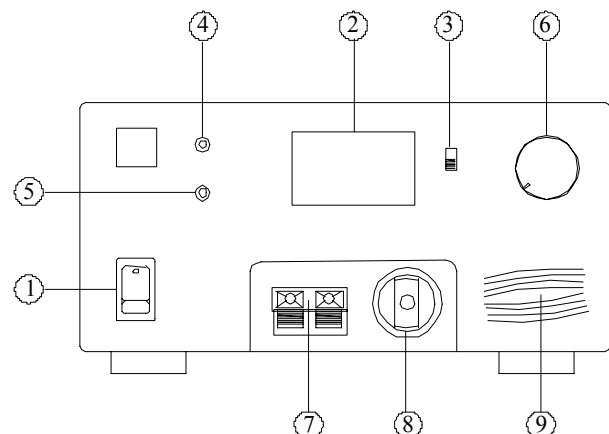
SAFETY PRECAUTIONS

MUST read through the following precautions carefully to prevent from electric shock.

1. NEVER remove the metal cover of the power supply while AC power is connected.
2. NEVER touch the unit when your hands are wet.
3. NEVER operate the unit if foreign materials such as metallic objects, water, or other debris have fallen inside. Contact your dealer for check and repair.
4. NEVER operate the unit that was being damaged, as the voltage regulation circuitry may have been disabled. The resulting high voltage could damage your equipment.
5. NEVER allow foreign objects to touch the DC Power Output Terminals.
6. If you have the need to inspect the interior of the unit, be contained to let it cool down completely, as some components may be enough to burn your hand in the event of component failure.

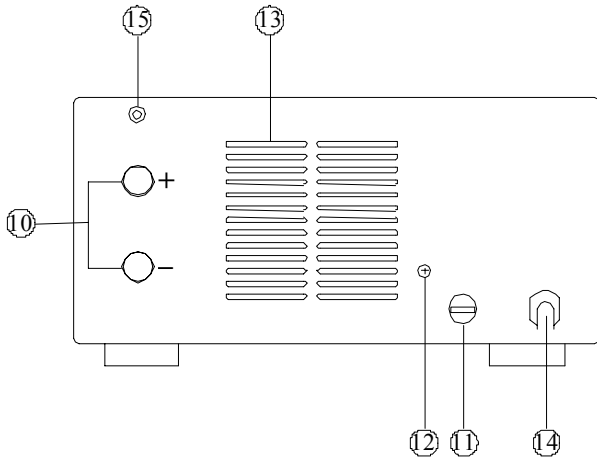
PANEL DESCRIPTION

1. **POWER SWITCH: Turn ON/OFF the unit.**



2. **OUTPUT METER:** Indicate the voltage or current output
3. **METER ON/OFF SWITCH:** Turn ON/OFF the digital meter.
4. **POWER INDICATOR:** Lights up when the unit is turn on.
5. **OVERLOAD INDICATOR:** Lights up under the condition of overload or over temperature.

- 6. VOLTAGE CONTROL KNOB: Control the output voltage.
- 7. 6A SNAP-ON OUTPUT TERMINAL
- 8. CIGAR-LIGHTER OUTPUT JACK
- 9. SPEAKER



- 10. SCREW-ON OUTPUT TERMINAL
- 11. FUSE

SPECIFICATIONS

VOLTAGE SOURCE:	120VAC	220VAC	230VAC	240VAC
OUTPUT VOLTAGE:	5-15V			
OUTPUT CURRENT:	40A (continuous)			
RIPPLE AND NOISE:	8mV _{r.m.s.}			
LINE REGULATION:	180mV (±10% Variation)			
LOAD REGULATION:	180mV (0-100% Load)			
HEADPHONE JACK TYPE:	Ø 3.5mm			
METER TYPE:	Digital Meter			
INPUT FUSE:	10A	6A		
DIMENSION (W×H×D):	210mm×110mm×300mm			
WEIGHT:	3 Kgs (Approx.)			

- 12. GROUNDING: Connect to ground for better RFI Stability.
- 13. COOLING FAN AIR INLET
- 14. POWER CORD
- 15. HEADPHONE JACK

CONNECTION AND OPERATION

1. Make sure the AC power source fits the input of voltage unit labeled and plug it in the AC outlet.
2. Turn ON the unit and adjust the output voltage to match with the input voltage of the equipment. Then turn OFF the unit.
3. Connect the equipment to the unit. Red (+) is connected to the positive polarity input of the equipment and Black (-) is connected to the negative polarity input of the equipment.
4. First turn ON the unit and then turn the equipment ON.
5. When and operation is finished, turn off the equipment first and then turn OFF the unit.

DIAMOND ANTENNA CORPORATION

Miyata Building, No.15-1,1-chome Sugamo, Toshimaku Tokyo,Japan 170-0002 PHONE 03-3947-1411 FAX.03-3944-2981
 Home Page <http://www.diamond-ant.co.jp>
 E-mail overseas@diamond-ant.co.jp

2024/01
 7673-4000-5050
 REV.1